



NINGBO JINTIAN COPPER TUBE CO.,LTD.

Add: No.1 Chengxi West Road Cicheng, Ningbo, China P.C. 315034

Tel: +86-574-83005999 Fax: +86-574-87574862-8928

www.jtcopper.com



COPPER FITTING

www.jtcopper.com



NINGBO JINTIAN COPPER TUBE CO.,LTD.

COMPANY PROFILE

宁波金田铜业（集团）股份有限公司

NINGBO JINTIAN COPPER (GROUP) CO., LTD.



YEARS
专注铜加工

35+

PATENTS
发明专利

100+

AWARDS
科技进步奖

10+

宁波金田铜业（集团）股份有限公司（证券简称：金田铜业，证券代码：601609）始建于 1986 年，专注铜加工三十余年，是全球领先的铜及铜合金材料供应商，致力于为 5G 通讯、新能源汽车、轨道交通、电力物联网、智慧城市等战略性新兴产业发展提供铜材综合解决方案。

公司立足宁波，放眼世界，持续推进全球化布局，在宁波、江苏、广东、重庆、包头、越南等建设七大生产基地，形成了产业链完整、规模优势显著、产品种类齐全的竞争优势；并在香港、美国、德国、泰国、日本、韩国、新加坡等地设立分支机构，建立全球供应链体系和销售网络，为国内外客户提供铜产品一站式的采购服务。

公司建立国家级企业技术中心、国家级博士后科研工作站、院士工作站，与乌克兰国家科学院合作，研发高强、高导、高精度的新型高端铜合金新材料，目前已拥有授权发明专利 100 多项，主持、参与国家 / 行业标准制订近 30 项，获得国家级、省部级科技进步奖 10 余项。

公司坚持转型升级，不断推进数字化建设。引进 ERP、CRM、SRM 等管理系统，建立覆盖全业务领域的信息化管理平台；通过自动化升级和 SCADA、MES、RFID、WMS 等多系统融合应用，建设数字化工厂，推进智能制造。

Ningbo Jintian Copper (Group) Co., Ltd. (Stock abbreviation: Jintian Copper, stock code: 601609) was founded in 1986 and has focused on copper processing for more than 30 years. It is the world's leading supplier of copper and copper alloy materials and is committed to providing comprehensive services for the development of strategic emerging industries such as 5G communications, new energy vehicles, rail transit, power Internet of Things, and smart cities.

The company is based in Ningbo, looks at the whole world, and continues to promote globalization. It has built seven production bases in Ningbo, Jiangsu, Guangdong, Chongqing, Baotou, Vietnam, etc., forming a competitive advantage with a complete industrial chain, significant scale advantages, and complete product categories, and in Hong Kong, The United States, Germany, Japan, Singapore and South Korea, Jintian has set up subsidiaries to establish a global supply chain system and sales network to provide domestic and foreign customers with one-stop procurement services for copper products.

The company has established a national enterprise technology center, a national post-doctoral research workstation, and an academician workstation. In cooperation with the National Academy of Sciences of Ukraine, it focuses on key materials and technologies in key application areas, develops new high-end copper alloy materials with high strength, high conductivity, and high precision. Jintian currently has more than 100 authorized invention patents, presided over and participated in the formulation of nearly 30 national / industry standards, and won more than 10 national, provincial and ministerial scientific and technological progress awards.

The company insists on transformation and upgrading, and continuously promotes digital construction. Bring in ERP, CRM, SRM and other management systems that are established to cover all business areas Information management platform; through automated upgrades and multi-system integration applications such as SCADA, MES, RFID and WMS. Jintian has built a digital factory, and promoted intelligent manufacturing.

NINGBO JINTIAN COPPER FITTING

宁波金田铜管有限公司

MISSION AND VISION

**CREATE CUSTOMER VALUE,
BUILD A CENTURY-OLD COMPANY,
BECOME A BENCHMARK IN THE INDUSTRY,
CONTRIBUTE TO MODERN INDUSTRIAL DEVELOPMENT**

金田铜管事业部隶属于金田铜业，旗下有宁波金田铜管有限公司，江苏兴荣铜业有限公司，金田铜业（越南）有限公司和紫铜管件公司四家子公司，拥有宁波，江苏，越南三大生产基地。这三个基地是专业生产各种空调制冷用铜管、环保铜水管和紫铜管件的国家级高新技术企业，主要的产品包括内螺纹管、水平复绕管、空调直管、水道管、蚊香盘弧管及全系列紫铜管件。铜管事业部紫铜管件公司，是紫铜管件行业的领军企业。目前产品畅销海外，与欧洲、北美及东南亚等国外知名企业建立了长期稳定的合作关系，市场覆盖全球 60 多个国家或地区，形成了良好的品牌形象和行业口碑。

经过近 10 年的发展，公司已建设成为国内先进的紫铜管件生产制造基地，专注于高效、健康环保的纯紫铜连接管件研发与生产。并致力于打造管件第一品牌！公司主要产品有焊接管件（欧标、美标、澳标）、卡压管件、辅锡管件、制冷管件等，广泛应用于水道、空调、冰箱制冷、燃气、及医疗等行业。

公司在“创造客户价值，打造百年公司，成为行业标杆，为现代工业文明做贡献”的使命愿景牵引下，公司秉承“天天求变、永不自满、勇于竞争、追求卓越”的企业精神，坚持走新型工业化发展道路，不断提升管理水平，建设一流人才队伍。公司通过了 ISO9001:2015 质量管理体系、ISO14001:2015 环境体系及 ISO 45001:2018 职业健康安全管理体系认证，同时在行业内率先通过了 KITEMARK、WRAS、AENOR、SABS、UPC、CUPC、NSF、WATERMARK 等产品认证。

面向未来，公司继续坚持“依法经营、诚信经营、自主创新、科学发展”的经营理念，以市场为导向，以客户为中心，坚持科技兴企，加快转型升级，优化产品结构，提升产品品质，致力成为中国管件行业的领军企业，为实现“世界级 500 强”的金田梦而不懈奋斗！



Jintian Copper Tube Division is affiliated to Jintian Group, including Ningbo Jintian Copper Tube Co., Ltd, Jiangsu Xing Rong Copper Co., Ltd, Jintian Copper (Vietnam) Co., Ltd, and Ningbo Jintian Copper Fitting, based in Ningbo, Jiangsu Province and Vietnam. All of the three sites dedicate in copper tube and copper fitting manufacturing by ACR& Plumbing application. Jintian Copper Fitting Company is one of the leading enterprises in the copper fitting industry in China. Following the international strategy of Jintian Copper Group, we already have overseas manufacturing bases, with two manufacturing bases in Ningbo and Vietnam, the company has established long-term and stable partnerships with well-known brands in more than 60 countries of Europe, North America and Southeast Asia, ect.

After around 10 years of development, the company has grown into a high precision copper fitting manufacturing base that focuses on the production of high-efficiency and environment-friendly copper fittings. Our main products include End feed Fittings (EN1254-1, ASME B16.22 and AS 3688), Press Fittings, Solder Ring Fittings, ACR Fittings, etc., which are widely used in plumbing pipe connecting systems, air conditioning & refrigeration connecting systems, gas system and medical piping systems.

Driven by the mission and vision of "creat customer value, build a century-old company, become a benchmark in the industry, and contribute to modern industrial development", Jintian Copper Fitting Company adheres to the enterprise spirit of " seeking change every day, never being self-satisfied, being brave to compete, and pursuing excellence. The company persists in the development of a new type of industrialization, continuously improves the management level, and builds a first-class talent team. The company is acknowledged by ISO9001:2015 quality management system, ISO14001:2015 environmental system and ISO 45001:2018 occupational health and safety management system. And at the same time, it has taken the lead to pass KITEMARK, WRAS, AENOR, SABS, UPC, CUPC, NSF, WATERMARK and other product certifications.

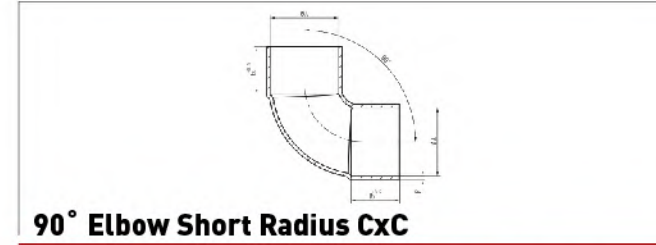
Facing the future, the company will continue to adhere to the business philosophy of "operating in accordance with the law, doing business with integrity, independent innovation, and scientific development", market-oriented, customer-centric, insisting on developing enterprises with science and technology, accelerating transformation and upgrading, optimizing product structure, and improving product quality. Committed to becoming a leading enterprise in the copper fitting industry, Jintian people make unremitting efforts to realize our dream to be one of the Global 500 enterprises.

ENDFEED COPPER FITTING



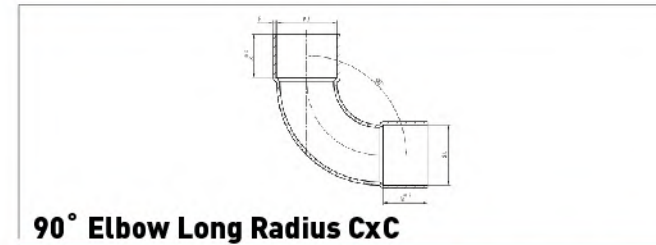
Jintian's end feed copper fittings for plumbing and ACR systems have been at the leading of China. Available in both ASME B 16.22 and EN 1254-1 standard, our products can be used in both residential, commercial and HVAC systems. Available I.D. sizes ranging from 1/4" to 6".

Our company, a leading specialist in quality accessories, has received various certifications for our products in many markets such as WRAS, WATERMARK, KITEMARK, ANEOR, SABS, UPC, CUPC, NSF and so on.



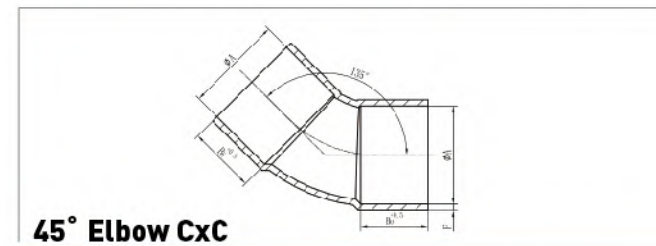
90° Elbow Short Radius CxC

Code	O.D.Size(Inch)	Code	Size(mm)
J9004	5/8"	5090	15
J9004	7/8"	5090	22
J9004	1 1/8"	5090	28
J9004	1 3/8"	5090	35
J9004	1 5/8"	5090	42
J9004	2 1/8"	5090	54



90° Elbow Long Radius CxC

Code	O.D.Size(Inch)	Code	Size(mm)
J9014	5/8"	5002	15
J9014	7/8"	5002	22
J9014	1 1/8"	5002	28
J9014	1 3/8"	5002	35
J9014	1 5/8"	5002	42
J9014	2 1/8"	5002	54



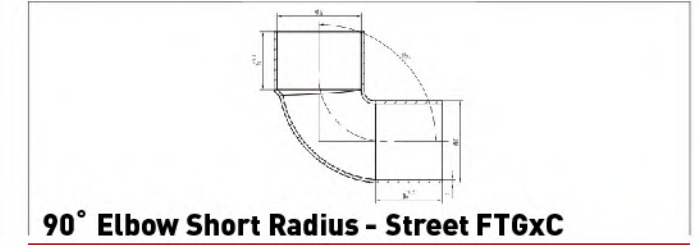
45° Elbow CxC

Code	O.D.Size(Inch)	Code	Size(mm)
J9007	5/8"	5041	15
J9007	7/8"	5041	22
J9007	1 1/8"	5041	28
J9007	1 3/8"	5041	35
J9007	1 5/8"	5041	42
J9007	2 1/8"	5041	54



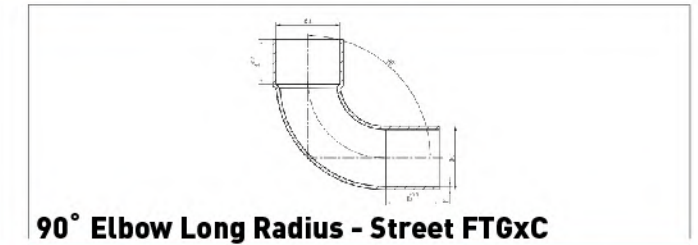
90° Reducing Elbow CxC

Code	O.D.Size(Inch)	Code	Size(mm)
J9006	7/8" x 5/8"	5091	22x15
J9006	1 1/8" x 5/8"	5091	28x15
J9006	1 1/8" x 7/8"	5091	28x22
J9006	1 3/8" x 1 1/8"	5091	35x28
J9006	1 5/8" x 1 1/8"	5091	42x28
J9006	1 5/8" x 1 3/8"	5091	42x35
J9006	2 1/8" x 1 1/3"	5091	54x35
J9006	2 1/8" x 1 5/8"	5091	54x42



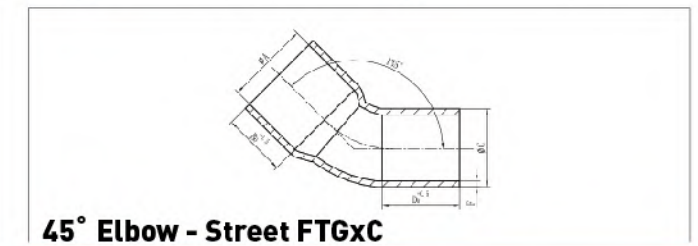
90° Elbow Short Radius - Street FTGxC

Code	O.D.Size(Inch)	Code	Size(mm)
J9005	5/8"	5092	15
J9005	7/8"	5092	22
J9005	1 1/8"	5092	28
J9005	1 3/8"	5092	35
J9005	1 5/8"	5092	42
J9005	2 1/8"	5092	54



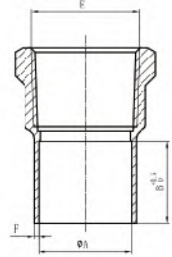
90° Elbow Long Radius - Street FTGxC

Code	O.D.Size(Inch)	Code	Size(mm)
J9019	5/8"	5001	15
J9019	7/8"	5001	22
J9019	1 1/8"	5001	28
J9019	1 3/8"	5001	35
J9019	1 5/8"	5001	42
J9019	2 1/8"	5001	54



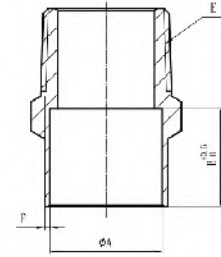
45° Elbow - Street FTGxC

Code	O.D.Size(Inch)	Code	Size(mm)
J9008	5/8"	5040	15
J9008	7/8"	5040	22
J9008	1 1/8"	5040	28
J9008	1 3/8"	5040	35
J9008	1 5/8"	5040	42
J9008	2 1/8"	5040	54



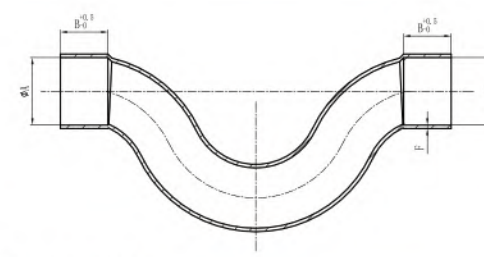
Female Adapter CxFPT

Code	O.D.Size(Inch)
J9012	5/8" x 1/2"F
J9012	7/8" x 3/4"F
J9012	1 1/8" x 1"F
J9012	1 3/8" x 1 1/4"F
J9012	1 5/8" x 1 1/2"F
J9012	2 1/8" x 2"F



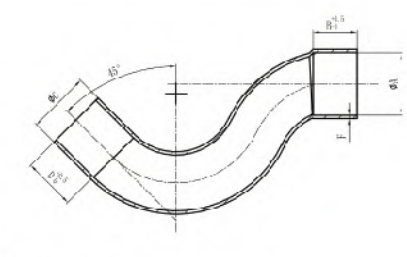
Male Adapter CxMPT

Code	O.D.Size(Inch)
J9011	5/8" x 1/2"M
J9011	7/8" x 3/4"M
J9011	1 1/8" x 1"M
J9011	1 3/8" x 1 1/4"M
J9011	1 5/8" x 1 1/2"M
J9011	2 1/8" x 2"M



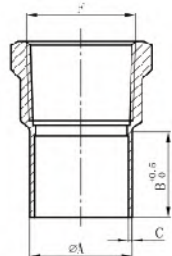
Full Crossover

Code	O.D.Size(mm)
5085	12
5085	14
5085	15
5085	16
5085	18
5085	22



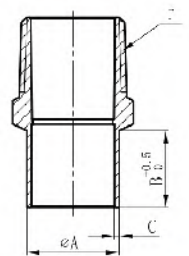
Partial Crossover

Code	O.D.Size(mm)
5086	12
5086	14
5086	15
5086	16
5086	18
5086	22



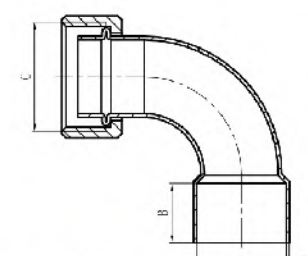
Female Adapter FTGxFPT

Code	O.D.Size(Inch)
J9022	5/8" x 1/2"F
J9022	7/8" x 3/4"F
J9022	1 1/8" x 1"F
J9022	1 3/8" x 1 1/4"F
J9022	1 5/8" x 1 1/2"F
J9022	2 1/8" x 2"F



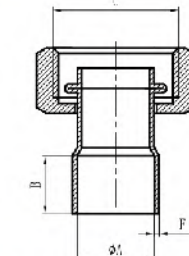
Male Adapter FTGxMPT

Code	O.D.Size(Inch)
J9023	5/8" x 1/2"M
J9023	7/8" x 3/4"M
J9023	1 1/8" x 1"M
J9023	1 3/8" x 1 1/4"M
J9023	1 5/8" x 1 1/2"M
J9023	2 1/8" x 2"M



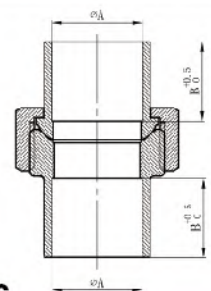
Bent Tap Connector

Code	O.D.Size(Inch)
5063G	1/2" x 15
5063G	1/2" x 22
5063G	3/4" x 15
5063G	3/4" x 22
5063G	1" x 22
5063G	1" x 28



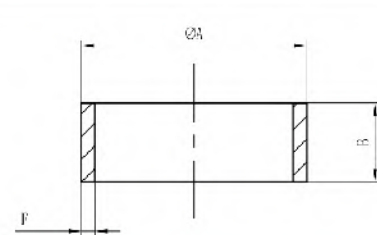
Straight Tap Connector

Code	O.D.Size(Inch)
5240G	1/2" x 15
5240G	1/2" x 22
5240G	3/4" x 15
5240G	3/4" x 22
5240G	1" x 22
5240G	1" x 28



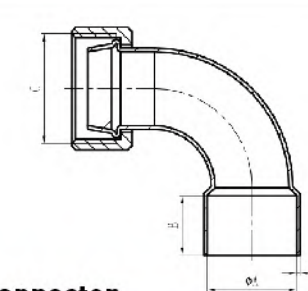
Brass Union CxC

Code	O.D.Size(Inch)
J9201	5/8"
J9201	7/8"
J9201	1 1/8"
J9201	1 3/8"
J9201	1 5/8"
J9201	2 1/8"



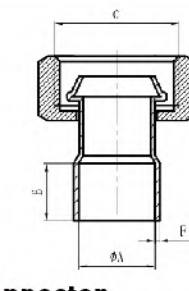
Copper Crimp Ring - F1807

Code	O.D.Size(Inch)
H127	3/8"
H127	1/2"
H127	5/8"
H127	3/4"
H127	1"
H127	1 1/4"
H127	1 1/2"
H127	2"



Bent Tap Connector

Code	O.D.Size(Inch)
5063W	1/2" x 15
5063W	1/2" x 22
5063W	3/4" x 15
5063W	3/4" x 22
5063W	1" x 22
5063W	1" x 28



Straight Tap Connector

Code	O.D.Size(Inch)
5240W	1/2" x 15
5240W	1/2" x 22
5240W	3/4" x 15
5240W	3/4" x 22
5240W	1" x 22
5240W	1" x 28

COPPER PRESS FITTING



Copper press fitting is a flameless alternative to soldering copper pipe connections. In this system, a hydraulic tool is used to press specially designed connectors to join traditional pipes. These connectors house a sealing element that, when pressed, creates an even and reliable connection. They are compatible with a range of press tools and jaws. Unlike traditional brazing methods, press fittings involve no heat and no need to weld or solder joints and connections. It has rapidly become the preferred method for joining copper tubing system in a fast, clean manner.

- We supply copper press fittings in V profile and M profile from size 15mm to 54mm.
- Available in the dimensional range between 15 and 54mm (large sizes > 54mm to be following in the next stage)
- WRAS approved
- Suitable for water installations, heating services and gas system
- Temperature rating from -20 ° C to 110 ° C
- Pressure rating 16 bar
- Rapid jointing technique ensures time and labour saving compared to traditional jointing methods
- Heat free jointing – no hot works permits or insurance required



The Water Regulations Advisory Scheme (WRAS) is a conformance mark that demonstrates that an item complies with high standards set out by water regulations promulgated in 1999 in the United Kingdom.

PRESS FITTING WITH M PROFILE

90° Elbow PxP

Code	Size(mm)
MP5090	15
MP5090	22
MP5090	28
MP5090	35
MP5090	42
MP5090	54

90° Elbow FTGxP

Code	Size(mm)
MP5092	15
MP5092	22
MP5092	28
MP5092	35
MP5092	42
MP5092	54

45° Elbow PxP

Code	Size(mm)
MP5041	15
MP5041	22
MP5041	28
MP5041	35
MP5041	42
MP5041	54

45° Elbow FTCxP

Code	Size(mm)
MP5040	15
MP5040	22
MP5040	28
MP5040	35
MP5040	42
MP5040	54

Straight Coupling PxP

Code	Size(mm)
MP5270	15
MP5270	22
MP5270	28
MP5270	35
MP5270	42
MP5270	54

Stop End P

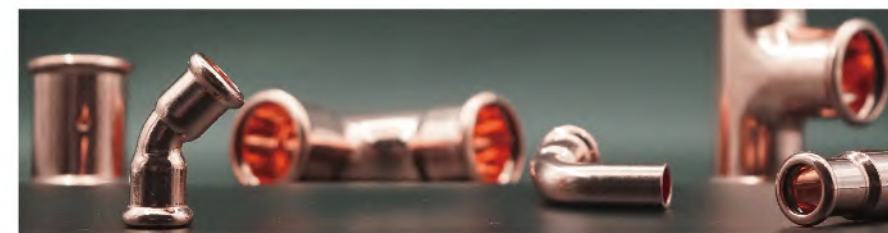
Code	Size(mm)
MP5301	15
MP5301	22
MP5301	28
MP5301	35
MP5301	42
MP5301	54

Crossover PxP

Code	Size(mm)
MP5085	15
MP5085	22
MP5085	28

Partial Crossover FTGxP

Code	Size(mm)
MP5086	15
MP5086	22
MP5086	28



Tee PxPxP

Code	Size(mm)
MP5130	15
MP5130	22
MP5130	28
MP5130	35
MP5130	42
MP5130	54

Reducing Coupling PxP

Code	Size(mm)
MP5240	22x15
MP5240	28x15
MP5240	28x22
MP5240	35x15
MP5240	35x22
MP5240	35x28
MP5240	42x15
MP5240	42x22
MP5240	42x28
MP5240	42x35
MP5240	54x15
MP5240	54x22
MP5240	54x28
MP5240	54x35
MP5240	54x42
MP5240	54x35
MP5240	54x42

FITTING REDUCING FTGxP

Code	Size(mm)
MP5243	22x15
MP5243	28x15
MP5243	28x22
MP5243	35x15
MP5243	35x22
MP5243	35x28
MP5243	42x15
MP5243	42x22
MP5243	42x28
MP5243	42x35
MP5243	54x15
MP5243	54x22
MP5243	54x28
MP5243	54x35
MP5243	54x42

Reducing Tee PxPxP(LxRxM)

Code	Size(mm)
MP5130R	15x15x22
MP5130R	22x15x15
MP5130R	22x15x22
MP5130R	22x22x15
MP5130R	22x22x28
MP5130R	28x15x15
MP5130R	28x15x22
MP5130R	28x15x28
MP5130R	28x22x15
MP5130R	28x22x22
MP5130R	28x22x28
MP5130R	28x28x15
MP5130R	28x28x22
MP5130R	28x28x35
MP5130R	35x22x22
MP5130R	35x22x35
MP5130R	35x28x22
MP5130R	35x28x28
MP5130R	35x28x35
MP5130R	35x35x15
MP5130R	35x35x22
MP5130R	35x35x28
MP5130R	42x28x28
MP5130R	42x35x35
MP5130R	42x35x42
MP5130R	42x42x15
MP5130R	42x42x22
MP5130R	42x28x42
MP5130R	42x35x42
MP5130R	42x42x15
MP5130R	42x42x22
MP5130R	42x42x28
MP5130R	42x42x35
MP5130R	54x54x15
MP5130R	54x54x22
MP5130R	54x54x28
MP5130R	54x54x35
MP5130R	54x42x42
MP5130R	54x54x42

90° Elbow PxP

Code	Size(mm)
VP5090	12
VP5090	15
VP5090	18
VP5090	22
VP5090	28
VP5090	35
VP5090	42
VP5090	54

90° Elbow FTGxP

Code	Size(mm)
VP5092	12
VP5092	15
VP5092	18
VP5092	22
VP5092	28
VP5092	35
VP5092	42
VP5092	54

45° Elbow PxP

Code	Size(mm)
VP5041	12
VP5041	15
VP5041	18
VP5041	22
VP5041	28
VP5041	35
VP5041	42
VP5041	54

45° Elbow FTGxP

Code	Size(mm)
VP5040	12
VP5040	15
VP5040	18
VP5040	22
VP5040	28
VP5040	35
VP5040	42
VP5040	54

Coupling PxP

Code	Size(mm)
VP5270	12
VP5270	15
VP5270	18
VP5270	22
VP5270	28
VP5270	35
VP5270	42
VP5270	54

Stop End P

Code	Size(mm)
VP5301	12
VP5301	15
VP5301	18
VP5301	22
VP5301	28
VP5301	35
VP5301	42
VP5301	54

Crossover PxP

Code	Size(mm)
VP5085	15
VP5085	18
VP5085	22

Partial Crossover FTGxP

Code	Size(mm)
VP5086	15
VP5086	18
VP5086	22

Tee PxPxP

Code	Size(mm)
VP5130	12
VP5130	15
VP5130	18
VP5130	22
VP5130	28
VP5130	35
VP5130	42
VP5130	54

Reducing Coupling PxP

Code	Size(mm)
VP5240	22x15
VP5240	28x15
VP5240	28x22
VP5240	35x15
VP5240	35x22
VP5240	35x28
VP5240	42x15
VP5240	42x22
VP5240	42x28
VP5240	42x35
VP5240	54x15
VP5240	54x22
VP5240	54x28
VP5240	54x35
VP5240	54x42
VP5240	54x35
VP5240	54x42

Fitting Reducing FTGxP

Code	Size(mm)
VP5243	22x15
VP5243	28x15
VP5243	28x22
VP5243	35x15
VP5243	35x22
VP5243	35x28
VP5243	42x15
VP5243	42x22
VP5243	42x28
VP5243	42x35
VP5243	54x15
VP5243	54x22
VP5243	54x28
VP5243	54x35
VP5243	54x42

PRESS FITTING WITH V PROFILE



Reducing Tee PxPxP(LxRxM)

Code	Size(mm)
VP5130R	15x15x22
VP5130R	22x15x15
VP5130R	22x15x22
VP5130R	22x22x15
VP5130R	22x22x28
VP5130R	28x15x15
VP5130R	28x15x22
VP5130R	28x15x28
VP5130R	28x22x15
VP5130R	28x22x22
VP5130R	28x22x28
VP5130R	28x28x15
VP5130R	28x28x22
VP5130R	28x28x35
VP5130R	35x22x22
VP5130R	35x22x35
VP5130R	35x28x22
VP5130R	35x28x28
VP5130R	35x28x35
VP5130R	35x35x15
VP5130R	35x35x22
VP5130R	35x35x28
VP5130R	42x28x28
VP5130R	42x35x35
VP5130R	42x35x42
VP5130R	42x42x15
VP5130R	42x42x22
VP5130R	42x42x28
VP5130R	42x42x35
VP5130R	54x54x15
VP5130R	54x54x22
VP5130R	54x54x28
VP5130R	54x54x35
VP5130R	54x42x42
VP5130R	54x54x42

TOOLS AND INSTALLATION MANUAL



Installation Steps

01

Cut the copper tubing at right angles using cutter



02

Remove burrs and sharp edges as these will damage the rubber O-ring



03

Check the O-ring whether at the right place and in good condition



04

Mark proper insertion depth. The depth of JT M and V profile press fittings are specified in table 1



05

Insert appropriate the jaw into the pressing tool and push in holding pin until it locks in place



06

Open the jaw and place at right angles on the fitting. Visually check insertion depth using mark on tubing



07

Hold the trigger to start pressing until the jaw has engaged the fitting, the tool will stop automatically

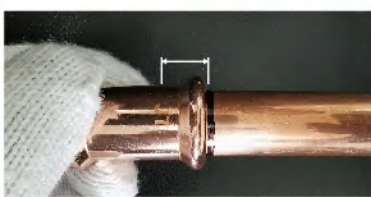


08

Finished product



The Pipe Insertion Length



Size (mm)	15	18	22	28	35	42	54
JT M profile L (mm)	20	20	21	23	26	30	35
JT V profile L (mm)	22	22	24	24	27	36	40

O-Rings

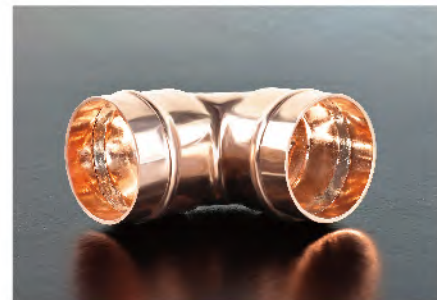
	Material	EPDM
	Working Temperature Of O-ring	-20°C ~120°C
	Working Pressure For Jt M Profile Fitting With Epdm O-ring	16 bar
	Application	Plumbing system
	Material	HNBR
	Working Temperature Of O-ring	-20°C ~100°C
	Working Pressure For Jt M Profile Fitting With Epdm O-ring	16 bar
	Application	Gas system

SOLDER RING COPPER FITTING



THE INSTALLATION GUIDE

1. Check the right fitting and make sure all the pipe ends are clean.
2. Assemble the solder ring fittings and pipes into the arrangement you require to complete the job. You will not need to add extra solder as they are pre-soldered.
3. Apply heat to the join by using the heat torch and wait for a solder appear at the join ends. It is very important to let the join cool sufficiently before handling it.



A solder ring fitting is a pre-soldered capillary connector for joining copper pipes used in plumbing. During the manufacturing process of these precision-made fittings, a ring of high quality lead-free solder is positioned in each capillary socket. When heat is applied, the solder is released into the gap between the tube and the fitting, resulting in a totally sound joint without the need to end feed additional solder. We provide the full range of products in size of 8mm-54mm, which are made from copper. Their impermeable nature gives excellent protection against contaminants that can threaten the domestic water supply.



The Water Regulations Advisory Scheme (WRAS) is a conformance mark that demonstrates that an item complies with high standards set out by water regulations promulgated in 1999 in the United Kingdom.



British Standards Institution (BSI) Kitemark certification is the international benchmark for excellence in digital engineering and project delivery, which is most frequently used to identify products where safety is paramount.

SR Straight Coupling

Code	Size(mm)
SRC-08	8
SRC-10	10
SRC-12	12
SRC-15	15
SRC-22	22
SRC-28	28
SRC-35	35
SRC-42	42
SRC-54	54

SR Full Crossover

Code	Size(mm)
SRFC-15	15
SRFC-22	22

SR 45°Elbow CxC

Code	Size(mm)
SROE-08	8
SROE-10	10
SROE-12	12
SROE-15	15
SROE-22	22
SROE-28	28
SROE-35	35
SROE-42	42
SROE-54	54

SR Reducing Coupling CxC

Code	Size(mm)
SRRC-1008	10x8
SRRC-1510	15x10
SRRC-1512	15x12
SRRC-2215	22x15
SRRC-2815	28x15
SRRC-2822	28x22
SRRC-3515	35x15
SRRC-3522	35x22
SRRC-3528	35x28
SRRC-4222	42x22
SRRC-4228	42x28
SRRC-4235	42x35
SRRC-5422	54x22
SRRC-5428	54x28
SRRC-5435	54x35
SRRC-5442	54x42

SR Partial Crossover

Code	Size(mm)
SRPC-15	15
SRPC-22	22

SR Bent Tap Connector

Code	Size(mm)
SRTC-15*1/2	15*1/2
SRTC-22*3/4	22*3/4

SR 45°Street Elbow FTGxC

Code	Size(mm)
SROSE-08	8
SROSE-10	10
SROSE-12	12
SROSE-15	15
SROSE-22	22
SROSE-28	28
SROSE-35	35
SROSE-42	42
SROSE-54	54

SR Tap Connector

Code	Size(mm)
SRTC-15*1/2	15*1/2
SRTC-22*3/4	22*3/4

SR Equal Tee

Code	Size(mm)
SRT-08	8
SRT-10	10
SRT-12	12
SRT-15	15
SRT-22	22
SRT-28	28
SRT-35	35
SRT-42	42
SRT-54	54

SR Reducing FTGxC

Code	Size(mm)
SRR-1008	10x8
SRR-1510	15x10
SRR-1512	15x12
SRR-2215	22x15
SRR-2815	28x15
SRR-2822	28x22
SRR-3515	35x15
SRR-3522	35x22
SRR-3528	35x28
SRR-4222	42x22
SRR-4228	42x28
SRR-4235	42x35
SRR-5422	54x22
SRR-5428	54x28
SRR-5435	54x35
SRR-5442	54x42

SR 90°Elbow CxC

Code	Size(mm)
SRE-08	8
SRE-10	10
SRE-12	12
SRE-15	15
SRE-22	22
SRE-28	28
SRE-35	35
SRE-42	42
SRE-54	54

SR Reducing Tee

Code	Size(mm)
SRRT-151510	15x15x10
SRRT-151522	15x15x22
SRRT-222228	22x22x28
SRRT-222215	22x22x15
SRRT-221522	22x15x22
SRRT-221515	22x15x15
SRRT-282822	28x28x22
SRRT-282815	28x28x15
SRRT-282228	28x22x28
SRRT-281528	28x15x28
SRRT-282222	28x22x22
SRRT-282215	28x22x15
SRRT-281515	28x15x15
SRRT-353528	35x35x28
SRRT-353522	35x35x22
SRRT-353515	35x35x15
SRRT-424235	42x42x35
SRRT-424228	42x42x28
SRRT-424222	42x42x22
SRRT-424215	42x42x15
SRRT-545442	54x54x42
SRRT-545435	54x54x35
SRRT-545428	54x54x28
SRRT-545422	54x54x22
SRRT-545415	54x54x15

SR Cap

Code	Size(mm)
SRC-08	8
SRC-10	10
SRC-12	12
SRC-15	15
SRC-22	22
SRC-28	28
SRC-35	35
SRC-42	42
SRC-54	54

SR 90°Street Elbow FTGxC

Code	Size(mm)
SRSE-08	8
SRSE-10	10
SRSE-12	12
SRSE-15	15
SRSE-22	22
SRSE-28	28
SRSE-35	35
SRSE-42	42
SRSE-54	54

ACR COPPER FITTING

TEE-BEND SERIES FITTINGS

Copper tee-elbow series products can be manufactured according to customers' requirement. Generally, we produce them as GB/T11618-2008, EN1254/BS864, ANSI/ASME B16.22, JISH3401 enterprise standard and other standards. Besides, other kinds of non-standardized pipe fittings can be also developed and designed as customers' requirements (including advanced lead-free extrusion tees).



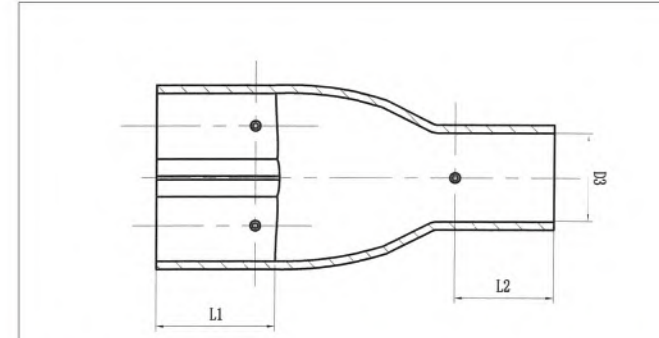
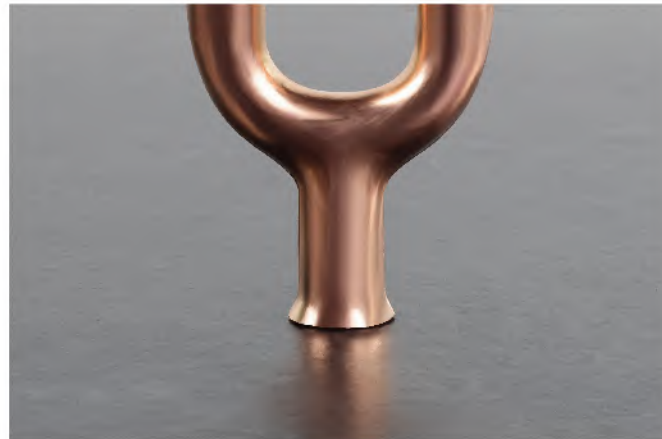
TUBE ASSEMBLY

Product introduction: Evaporation output tube assembly is processed by three-dimensional numerical control tube bending special machine, numerical control blunt flanging special machine, ultrasonic cleaning equipment, high pressure leak detection device etc. Applying to the connection of air conditioning inside machine evaporator with connecting tube, with reasonable structure and reliable connect. characteristics. Its size and shape can be made with the customer's request.



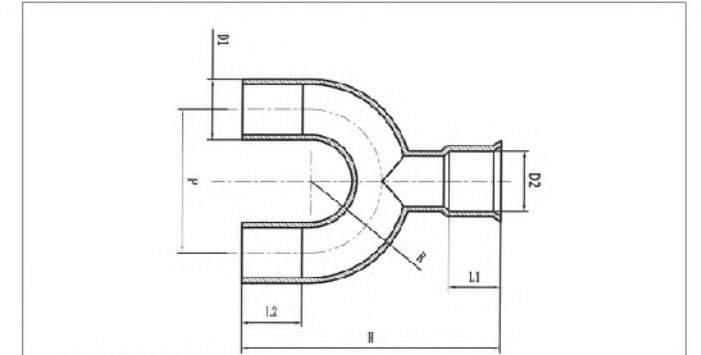
REFNET FITTINGS

Copper refnet fittings can be manufactured according to customers' requirement. Generally, we produce them as LG, DARKIN and SAMSUNG enterprise standard.



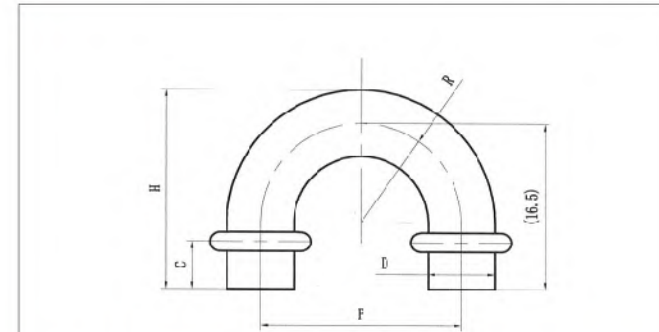
3-Way Fork Tube

Item	Code	D1	D2	D3	B	L1	L2	L
1	L001-5*5*5*9.5	5	5	5	9.5	8	10	31
2	L001-7*5*5*9.5	5	5	7	9.5	8	10	31
3	L001-6*8*6*11	6	8	6	11	10	10	45
4	L001-8*8*6*14	6	8	8	14	10	10	45
5	L001-9.53*9.53*6*13	6	9.53	9.53	13	10	10	45
6	L001-6.35*6*6*8	6	6	6.35	7-9	8	8	30
7	L001-8.2*6.2*6.2*15	6.2	6.2	8.2	15	10	14	45
8	L001-9.53*7*7*9.5	7	7	9.53	9.5	10	10	31
9	L001-8*7*7*9.5	7	7	8	9.5	10	10	31
10	L001-7*7*7*9.5	7	7	7	9.5	10	10	31
11	L001-9.7*7.2*7.2*10	7.2	7.2	9.7	10	9	8	35
12	L001-12.7*9.53*9.53*14.5	9.53	9.53	12.7	14.5	10	10	45
13	L001-19*12.7*12.7*17	12.7	12.7	19	17	10	10	50



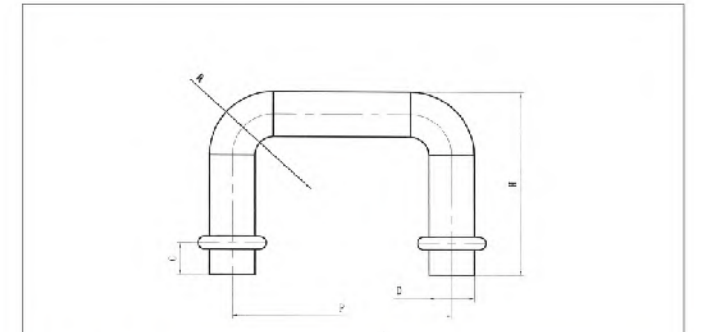
3-Way Fork Tub

Item	Code	D1	D2	P	R	L1	L2	L
1	L002-7*5*15.15	φ 5	φ 7	15.15	7.57	6.5	6	26
2	L002-7*5*19.5	φ 5	φ 7	19.5	9.75	6.5	6	27
3	L002-7*7*17	φ 7	φ 7	17	8.5	8	4	24
4	L002-7*7*24.4	φ 7	φ 7	24.4	12.2	8	5	28
5	L002-8*7*21	φ 7	φ 8	21	10.5	8	6	27
6	L002-8*7*17	φ 7	φ 8	17	8.5	8	5	24
7	L002-8*7*22	φ 7.9	φ 8	22	11	8	6	30
8	L002-6*9.53*25	φ 9.53	φ 6	25	12.5	8	6	36
9	L002-6*9.53*25.4	φ 9.53	φ 6	25.4	12.7	8	6	36
10	L002-7.9*9.53*22	φ 9.53	φ 7.9	22	11	8	6	30
11	L002-9.53*9.53*44	φ 9.53	φ 9.53	44	22	8	6	43
12	L002-12.7*12.7*38.45	φ 12.7	φ 12.7	38.45	19.22	9	10	45



U Bend

Item	Code	O D	P	H	R	C	L2	L
1	L003-5*15.15*18.2*7.575	5	15.15	18.2	7.575	4.8	10	31
2	L003-5*19.5*18.4*9.75	5	19.5	18.4	9.75	4.8	10	31
3	L003-5*21*23*10.5	5	21	23	10.5	5	10	45
4	L003-7*15.87*19*7.94	7	15.87	19	7.94	5	10	45
5	L003-7*17*20*8.5	7	17	20	8.5	5	10	45
6	L003-7*19.05*19*9.525	7	19.05	19	9.525	5	8	30
7	L003-7*21*20*10.5	7	21	20	10.5	5	14	45
8	L003-7*22*21*11	7	22	21	11	4.5	10	31
9	L003-7*23.5*23.5*11.75	7	23.5	23.5	11.75	5	10	31
10	L003-7*34.2*29*17.1	7	34.2	29	17.1	5	10	31
11	L003-7.94*22*22*11	7.94	22	22	11	4	8	35
12	L003-9.5*25.4*25*12.7	9.5	25.4	25-26	12.7	5	10	45
13	L003-9.5*44*38.3*22	9.5	44	38.3	22	6	10	50



C Bend

Item	Code	O D	P	H	R	C	L2	L
1	L004-5*43.7*26	5	43.7	26	10	8	6	26
2	L004-7*19.05*16.5	7	19.05	16.5	8	4	6	27
3	L004-7*31.3*29.5	7	31.3	29.5	10	5	4	24
4	L004-7*38*33	7	38	33	10.5	4.5	5	28
5	L004-7*41.1*28.5	7	41.1	28.5	10	6	27	
6	L004-7*42*25	7	42	25	15	5	24	
7	L004-7*44*21	7	44	21	10	4.5	6	30
8	L004-7*51.7*18.5	7	51.7	18.5	10	6	36	
9	L004-7*63*21	7	63	21	10	5	6	36
10	L004-7*76.2*29.7	7	76.2	29.7	15	6	30	
11	L004-7.94*38.1*31	7.94	38.1	31	11	4	6	43
12	L004-9.5*44*27.5	9.5	44	27.5	15	5	10	45
13	L004-9.5*50*34.5	9.5	50	34.5	15	5	10	45
14	L004-9.5*50.8*34.5	9.5	50.8	34.5	15	5	10	45
15	L004-9.5*63*21	9.5	63	21	10	5	10	45
16	L004-9.5*67.2*34.5	9.5	67.2	34.5	15	5	10	45
17	L004-9.5*75*34.7	9.5	75	34.7	15	5	10	45

BRASS RANGE

- Brass Compression Fittings

Manufactured to EN1254-2 (Formerly BS864-2). Compression fittings are suitable for mechanically joining copper or stainless steel tube by means of compressing a cone onto the tube without the application of the heat.

The range is designed for use with copper tube to EN1057 (Formerly BS2871) and stainless steel tube to EN10312 (Formerly BS4127). The materials are made to the British standard of brass forging (BS2872 CZ122) or rod (BS2874 CZ121).

Brass compression fittings as specified in EN1254-2 are suitable for using of the following pressures and temperature.

Medium	Service temp up to °C	Max working pressure	
		bar	psi
Water Light Mineral Oils 10-54mm Sizes	30	16	230
	65	10	145
	110	6	87
	120	5	75
Saturated Steam	120	3	45
LPG&Natural Gas 10-28mm Sizes Only	30	1	15

TECHNICAL POINTS

1. Body in brass by hot forging
2. Ring : Copper and brass
3. Nut : Brass by hot forging
4. Manufactured according to EN1 254-2
5. Fastening threads according to ISO 228/1.

ASSEMBLING INSTRUCTIONS

1. Cut the pipe perpendicular to its using appropriate tools, remove any trimming carefully
2. Fit the nut on the pipe
3. Fit the lock ring on the pipe
4. Fit the brass washer on the pipe
5. Fit the o-ring on the pipe
6. Fit the pipe on the body up to the mechanical stop
7. Tighten the nut by hand till it's possible then using the tool tighten the nut



- Brass Solder Fittings

TECHNICAL POINTS

1. Body in brass by hot forging
2. Manufactured according to EN1254-1
3. Designed for use with copper tube
4. Fastening threads according to ISO228/1

- Brass Thread Fittings

TECHNICAL POINTS

1. Body in brass by hot forging
2. Manufactured according to EN1254-4
3. Fastening threads according to ISO228/1



- Pex Fitting

1. Insert for fittings conform to F1807
2. Fitting with soldering or brazing end conform to ASME B 16.22
3. NPT male thread ,NPSM female thread
4. Thread confirm to ANSI/ASME B1.20.1

Material :

Copper/Forged C46500 Brass

Suitable Pipe:

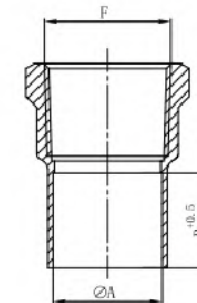
PEX pipe (SDR9)

BRASS SOLDER FITTING



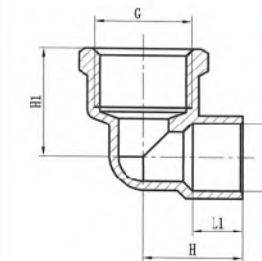
Female Straight CXF

Code	Size
H102-10*1/4	10 x 1/4"F
H102-10*3/4	10 x 3/8"F
H102-10*1/2	10 x 1/2"F
H102-12*3/8	12 x 3/8"F
H102-12*1/2	12 x 1/2"F
H102-14*3/8	14 x 3/8"F
H102-14*1/2	14 x 1/2"F
H102-14*3/4	14 x 3/4"F
H102-15*3/8	15 x 3/8"F
H102-15*1/2	15 x 1/2"F
H102-15*3/4	15 x 3/4"F
H102-16*3/8	16 x 3/8"F
H102-16*1/2	16 x 1/2"F
H102-16*3/4	16 x 3/4"F
H102-18*1/2	18 x 1/2"F
H102-18*3/4	18 x 3/4"F
H102-22*1/2	22 x 1/2"F
H102-22*3/4	22 x 3/4"F
H102-22*1	22 x 1"F
H102-28*1/2	28 x 1/2"F
H102-28*3/4	28 x 3/4"F
H102-28*1	28 x 1"F
H102-28*1 1/4	28 x 1 1/4"F
H102-32*1 1/4	32 x 1 1/4"F
H102-35*1	35 x 1"F
H102-35*1 1/4	35 x 1 1/4"F
H102-40*1 1/2	40 x 1 1/2"F
H102-42*1 1/2	42 x 1 1/2"F
H102-54*2	54 x 2"F
H102-76*3	76 x 3"F
H102-108*4	108 x 4"F



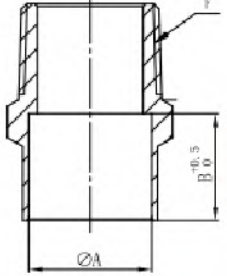
Female Elbow CXF

Code	Size
H103-12*3/8	12 x 3/8"F
H103-12*1/2	12 x 1/2"F
H103-14*3/8	14 x 3/8"F
H103-14*1/2	14 x 1/2"F
H103-15*3/8	15 x 3/8"F
H103-15*1/2	15 x 1/2"F
H103-15*3/4	15 x 3/4"F
H103-16*1/2	16 x 1/2"F
H103-16*3/4	16 x 3/4"F
H103-18*1/2	18 x 1/2"F
H103-18*3/4	18 x 3/4"F
H103-22*1/2	22 x 1/2"F
H103-22*3/4	22 x 3/4"F
H103-22*1	22 x 1"F
H103-28*3/4	28 x 3/4"F
H103-28*1	28 x 1"F
H103-35*1 1/4	35 x 1 1/4"F
H103-54*2	54 x 2"F



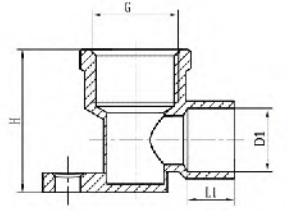
BRASS THREAD FITTING

Male Straight CXM



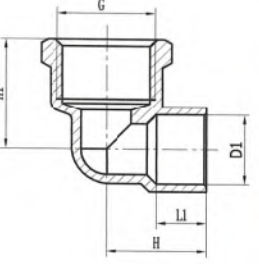
Code	Size
H101-10*1/4	10 × 1/4*M
H101-10*3/8	10 × 3/8*M
H101-12*3/8	12 × 3/8*M
H101-12*1/2	12 × 1/2*M
H101-14*3/8	14 × 3/8*M
H101-14*1/2	14 × 1/2*M
H101-14*3/4	14 × 3/4*M
H101-15*3/8	15 × 3/8*M
H101-15*1/2	15 × 1/2*M
H101-15*3/4	15 × 3/4*M
H101-16*3/8	16 × 3/8*M
H101-16*1/2	16 × 1/2*M
H101-16*3/4	16 × 3/4*M
H101-18*1/2	18 × 1/2*M
H101-18*3/4	18 × 3/4*M
H101-22*1/2	22 × 1/2*M
H101-22*3/4	22 × 3/4*M
H101-22*1	22 × 1*M
H101-28*3/4	28 × 3/4*M
H101-28*1	28 × 1*M
H101-28*1 1/4	28 × 1 1/4*M
H101-32*1	32 × 1*M
H101-32*1 1/4	32 × 1 1/4*M
H101-35*1	35 × 1*M
H101-35*1 1/4	35 × 1 1/4*M
H101-35*1 1/2	35 × 1 1/2*M
H101-40*1 1/2	40 × 1 1/2*M
H101-42*1 1/4	42 × 1 1/4*M
H101-42*1 1/2	42 × 1 1/2*M
H101-52*2	52 × 2*M
H101-54*2	54 × 2*M
H101-64*2 1/2	64 × 2 1/2*M
H101-67*2 1/2	67 × 2 1/2*M
H101-76*3	76 × 3*M
H101-76*3	108 × 4*M

Wallplate Elbow CXF



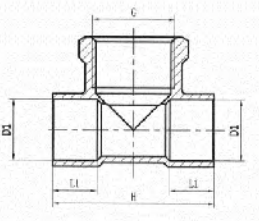
Code	Size
H116-12*1/2	12 × 1/2*F
H116-14*1/2	14 × 1/2*F
H116-15*1/2	15 × 1/2*F
H116-15*3/4	15 × 3/4*F
H116-18*1/2	18 × 1/2*F
H116-18*3/4	18 × 3/4*F
H116-22*1/2	22 × 1/2*F
H116-22*3/4	22 × 3/4*F

Female Elbow CXF



Code	Size
H104-12*3/8	12 × 3/8*F
H104-12*1/2	12 × 1/2*F
H104-14*3/8	14 × 3/8*F
H104-14*1/2	14 × 1/2*F
H104-15*1/2	15 × 1/2*F
H104-15*3/4	15 × 3/4*F
H104-16*1/2	16 × 1/2*F
H104-16*3/4	16 × 3/4*F
H104-18*1/2	18 × 1/2*F
H104-18*3/4	18 × 3/4*F
H104-22*1/2	22 × 1/2*F
H104-22*3/4	22 × 3/4*F
H104-22*1	22 × 1*F
H104-28*3/4	28 × 3/4*F
H104-28*1	28 × 1*F
H104-28*1 1/4	28 × 1 1/4*F
H104-36*1 1/4	36 × 1 1/4*F
H104-42*1 1/2	42 × 1 1/2*F

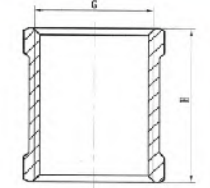
Female Tee CxCXF



Code	Size
H105-12*12*1/2	12 × 12 × 1/2*F
H105-14*14*1/2	14 × 14 × 1/2*F
H105-15*15*3/8	15 × 15 × 3/8*F
H105-15*15*1/2	15 × 15 × 1/2*F
H105-16*16*1/2	16 × 16 × 1/2*F
H105-18*18*1/2	18 × 18 × 1/2*F
H105-18*18*3/4	18 × 18 × 3/4*F
H105-22*22*1/2	22 × 22 × 1/2*F
H105-22*22*3/4	22 × 22 × 3/4*F
H105-28*28*1/2	28 × 28 × 1/2*F
H105-28*28*3/4	28 × 28 × 3/4*F
H105-28*28*1	28 × 28 × 1*F

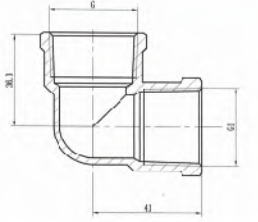


Equal Straight



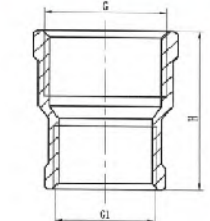
Code	Size
H119-1/4	1/4*F
H119-3/8	3/8*F
H119-1/2	1/2*F
H119-3/4	3/4*F
H119-1	1*F
H119-1 1/4	1 1/4*F
H119-1 1/2	1 1/2*F
H119-2	2*F
H119-2 1/2	2 1/2*F
H119-3	3*F
H119-4	4*F

Equal Elbow



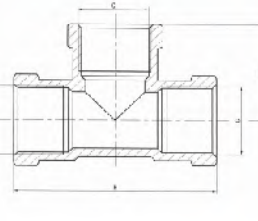
Code	Size
H121-1/4	1/4*F
H121-3/8	3/8*F
H121-1/2	1/2*F
H121-3/4	3/4*F
H121-1	1*F
H121-1 1/4	1 1/4*F
H121-1 1/2	1 1/2*F
H121-2	2*F
H121-2 1/2	2 1/2*F
H121-3	3*F
H121-4	4*F

Reducing Straight



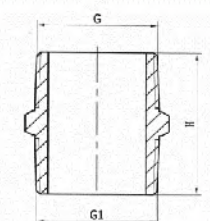
Code	Size
H119-1/2*3/8	1/2*F x 3/8*F
H119-3/4*1/2	3/4*F x 1/2*F
H119-1*1/2	1*F x 1/2*F
H119-1*3/4	1*F x 3/4*F
H119-1 1/4*1/2	1 1/4*F x 1/2*F
H119-1 1/4*3/4	1 1/4*F x 3/4*F
H119-1 1/4*1	1 1/4*F x 1*F
H119-1 1/2*1	1 1/2*F x 1*F
H119-1 1/2*1 1/4	1 1/2*F x 1 1/4*F
H119-2*1	2*F x 1*F
H119-2*1 1/4	2*F x 1 1/4*F
H119-2*1 1/2	2*F x 1 1/2*F

Equal tee (FFF)



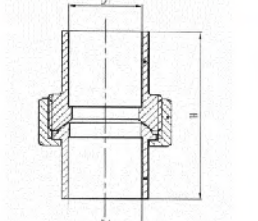
Code	Size
H122-1/4	1/4*F
H122-3/8	3/8*F
H122-1/2	1/2*F
H122-3/4	3/4*F
H122-1	1*F
H122-1 1/4	1 1/4*F
H122-1 1/2	1 1/2*F
H122-2	2*F
H122-2 1/2	2 1/2*F
H122-3	3*F

Equal Nipple



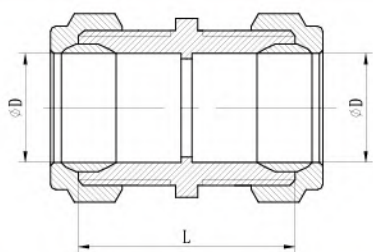
Code	Size
H120-1/8	1/8*M
H120-1/4	1/4*M
H120-3/8	3/8*M
H120-1/2	1/2*M
H120-3/4	3/4*M
H120-1	1*M
H120-1 1/4	1 1/4*M
H120-1 1/2	1 1/2*M
H120-2	2*M
H120-2 1/2	2 1/2*M
H120-3	3*M
H120-4	4*M

Straight Union with Mental sealed (FF)



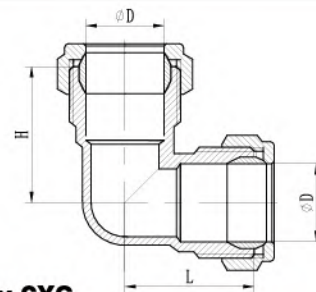
Code	Size
H123-1/2	1/2"
H123-3/4	3/4"
H123-1	1"
H123-1 1/4	1 1/4"
H123-1 1/2	1 1/2"
H123-2	2"
H123-2 1/2	2 1/2"
H123-3	3"

BRASS COMPRESSION FITTING



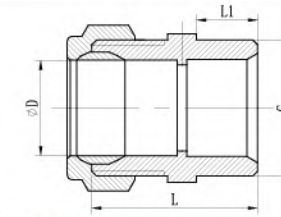
Equal Straight CXC

Code	Size
H124-8*8	8×8
H124-10*10	10×10
H124-12*12	12×12
H124-14*14	14×14
H124-15*15	15×15
H124-16*16	16×16
H124-18*18	18×18
H124-22*22	22×22
H124-28*28	28×28
H124-35*35	35×35
H124-42*42	42×42
H124-54*54	54×54



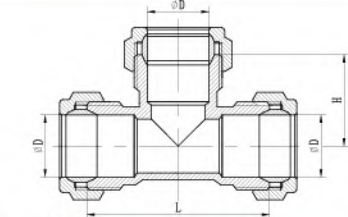
Equal Elbow CXC

Code	Size
H127-8*8	8×8
H127-10*10	10×10
H127-12*12	12×12
H127-14*14	14×14
H127-15*15	15×15
H127-16*16	16×16
H127-18*18	18×18
H127-22*15	22×15
H127-22*22	22×22
H127-28*22	28×22
H127-28*28	28×28
H127-35*35	35×35
H127-42*42	42×42
H127-54*54	54×54



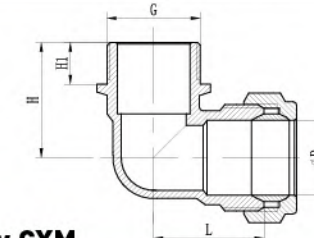
Male Straight CXM

Code	Size
H125-8*1/8	8×1/8*M
H125-8*1/4	8×1/4*M
H125-8*3/8	8×3/8*M
H125-8*1/2	8×1/2*M
H125-10*1/4	10×1/4*M
H125-10*3/8	10×3/8*M
H125-10*1/2	10×1/2*M
H125-12*3/8	12×3/8*M
H125-12*1/2	12×1/2*M
H125-14*3/8	14×3/8*M
H125-14*1/2	14×1/2*M
H125-14*3/4	14×3/4*M
H125-15*1/4	15×1/4*M
H125-15*3/8	15×3/8*M
H125-15*1/2	15×1/2*M
H125-15*3/4	15×3/4*M
H125-16*1/2	16×1/2*M
H125-16*3/4	16×3/4*M
H125-18*1/2	18×1/2*M
H125-18*3/4	18×3/4*M
H125-22*1/2	22×1/2*M
H125-22*3/4	22×3/4*M
H125-22*1	22×1*M
H125-22*1 1/4	22×1 1/4*M
H125-28*3/4	28×3/4*M
H125-28*1	28×1*M
H125-35*1 1/4	35×1 1/4*M
H125-42*1 1/2	42×1 1/2*M
H125-54*2	54×2*M



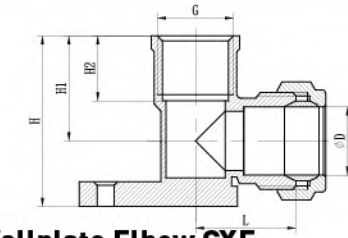
Equal Tee CxCXC

Code	Size
H128-18*15*18	18×15×18
H128-22*15*15	22×15×15
H128-22*15*22	22×15×22
H128-22*22*15	22×22×15
H128-22*22*18	22×22×18
H128-28*28*15	28×28×15
H128-28*15*28	28×15×28
H128-28*22*22	28×22×22
H128-28*28*22	28×28×22
H128-28*22*28	28×22×28
H128-36*36*15	36×36×15
H128-36*36*22	36×36×22
H128-36*36*28	36×36×28
H128-42*42*15	42×42×15
H128-42*42*22	42×42×22
H128-42*42*28	42×42×28
H128-42*42*36	42×42×36
H128-54*54*15	54×54×15
H128-54*54*22	54×54×22
H128-54*54*28	54×54×28
H128-54*54*36	54×54×36
H128-54*54*42	54×54×42
H128-54*54*42	54×54×42



Male Elbow CXM

Code	Size
H126-8*1/4	8×1/4*M
H126-10*1/4	10×1/4*M
H126-10*3/8	10×3/8*M
H126-12*1/2	12×1/2*M
H126-14*1/2	14×1/2*M
H126-15*1/4	15×1/4*M
H126-15*3/8	15×3/8*M
H126-15*1/2	15×1/2*M
H126-15*3/4	15×3/4*M
H126-16*1/2	16×1/2*M
H126-18*1/2	18×1/2*M
H126-18*3/4	18×3/4*M
H126-22*1/2	22×1/2*M
H126-22*3/4	22×3/4*M
H126-22*1	22×1*M
H126-28*1	28×1*M
H126-35*1 1/4	35×1 1/4*M
H126-42*1 1/2	42×1 1/2*M
H126-54*2	54×2*M



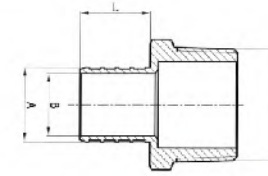
Female Wallplate Elbow CxF

Code	Size
H129-12*1/2	12×1/2*F
H129-14*1/2	14×1/2*F
H129-15*1/2	15×1/2*F
H129-16*1/2	16×1/2*F
H129-18*1/2	18×1/2*F
H129-18*3/4	18×3/4*F
H129-22*1/2	22×1/2*F
H129-22*3/4	22×3/4*F

PEX FITTING

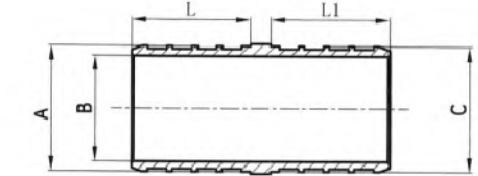


PEX Fitting Brass Male Adapter Barb X Mpt



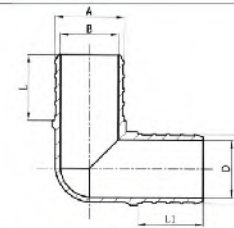
Code	Size
H131- 3/8"PEX x 1/2"MPT	3/8" x 1/2"
H131- 1/2"PEX x 1/2"MPT	1/2" x 1/2"
H131- 1/2"PEX x 3/4"MPT	1/2" x 3/4"
H131- 3/4"PEX x 3/4"MPT	3/4" x 3/4"
H131-3/4"PEX x 1/2"MPT	3/4" x 1/2"
H131- 1"PEX x 1"MPT	1" x 1"
H131- 1"PEX x 3/4"MPT	1" x 3/4"
H131- 3/4"PEX x 1"MPT	3/4" x 1"

PEX Fittings Brass Coupling



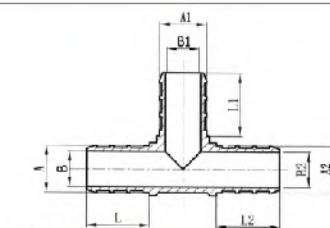
Code	Size
H135-3/8"PEX x 3/8"PEX	3/8" x 3/8"
H135-1/2"PEX x 1/2"PEX	1/2" x 1/2"
H135-3/4"PEX x 3/4"PEX	3/4" x 3/4"
H135-3/4"PEX x 1/2"PEX	3/4" x 1/2"
H135-1"PEX x 1"PEX	1" x 1"
H135-1"PEX x 3/4"PEX	1" x 3/4"
H135-1/2"PEX x 3/8"PEX	1/2" x 3/8"
H135-1"PEX x 3/8"PEX	1" x 3/8"
H135-1"PEX x 1/2"PEX	1" x 1/2"

Fitting Brass Elbow 90°

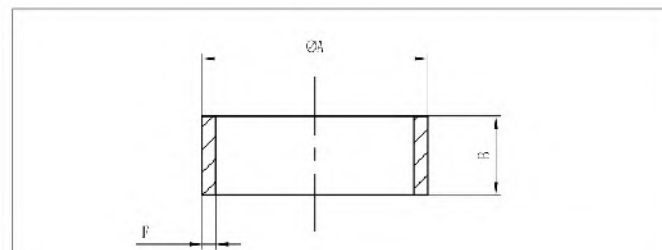


Code	Size
H132-3/8"PEX x 3/8"PEX	3/8" x 3/8"
H132-1/2"PEX x 1/2"PEX	1/2" x 1/2"
H132-3/4"PEX x 3/4"PEX	3/4" x 3/4"
H132-1/2"PEX x 3/4"PEX	1/2" x 3/4"
H132-1"PEX x 1"PEX	1" x 1"
H132-5/8"PEX x 5/8"PEX	5/8" x 5/8"
H132-1"PEX x 3/4"PEX	1" x 3/4"

PEX Fitting Brass Tee

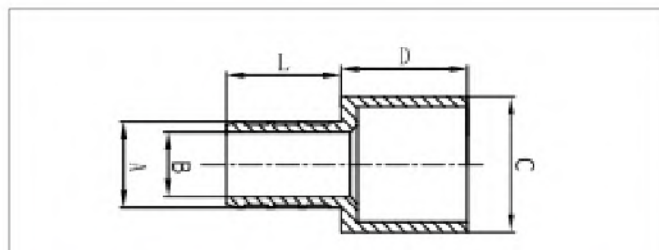


Code	Size
H136-3/8"PEX x 3/8"PEX x 3/8"PEX	3/8" x 3/8" x 3/8"
H136-1/2"PEX x 1/2"PEX x 1/2"PEX	1/2" x 1/2" x 1/2"
H136-3/4"PEX x 3/4"PEX x 3/4"PEX	3/4" x 3/4" x 3/4"
H136-1/2"PEX x 3/8"PEX x 3/8"PEX	1/2" x 3/8" x 3/8"
H136-1/2"PEX x 1/2"PEX x 3/4"PEX	1/2" x 1/2" x 3/4"
H136-3/4"PEX x 1/2"PEX x 3/4"PEX	3/4" x 1/2" x 3/4"
H136-3/4"PEX x 3/4"PEX x 1/2"PEX	3/4" x 3/4" x 1/2"
H136-3/4"PEX x 1/2"PEX x 1/2"PEX	3/4" x 1/2" x 1/2"
H136-1"PEX x 1"PEX x 1"PEX	1" x 1" x 1"
H136-3/4"PEX x 3/4"PEX x 1"PEX	3/4" x 3/4" x 1"
H136-1"PEX x 3/4"PEX x 1/2"PEX	1" x 3/4" x 1/2"
H136-1"PEX x 3/4"PEX x 3/4"PEX	1" x 3/4" x 3/4"
H136-1"PEX x 1"PEX x 1/2"PEX	1" x 1" x 1/2"
H136-1"PEX x 1"PEX x 3/4"PEX	1" x 1" x 3/4"
H136-1"PEX x 1/2"PEX x 1/2"PEX	1" x 1/2" x 1/2"
H136-3/8"PEX x 3/8"PEX x 1/2"PEX	3/8" x 3/8" x 1/2"



Copper Crimp Ring - F1807

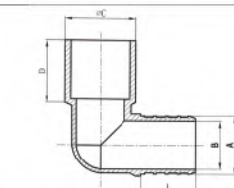
Code	O.D.Size(Inch)
H127	3/8"
H127	1/2"
H127	5/8"
H127	3/4"
H127	1"
H127	1 1/4"
H127	1 1/2"
H127	2"



Brass Male Sweat Adapter FTG

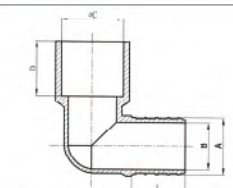
Code	Size
H134- 3/8"PEX x 1/2"FTG	3/8" x 1/2"
H134- 1/2"PEX x 1/2"FTG	1/2" x 1/2"
H134- 3/4"PEX x 3/4"FTG	3/4" x 3/4"
H134- 1"PEX x 1"FTG	1" x 1"
H134-1/2"PEX x 3/4"FTG	1/2" x 3/4"
H134-5/8"PEX x 3/4"FTG	5/8" x 3/4"
H134-1"PEX x 3/4"FTG	1" x 3/4"
H134- 3/4"PEX x 1"FTG	3/4" x 1"
H134- 3/4"PEX x 1/2"FTG	3/4" x 1/2"

Brass Male Sweat Elbow 90° (Barb x male Sweat) FTG



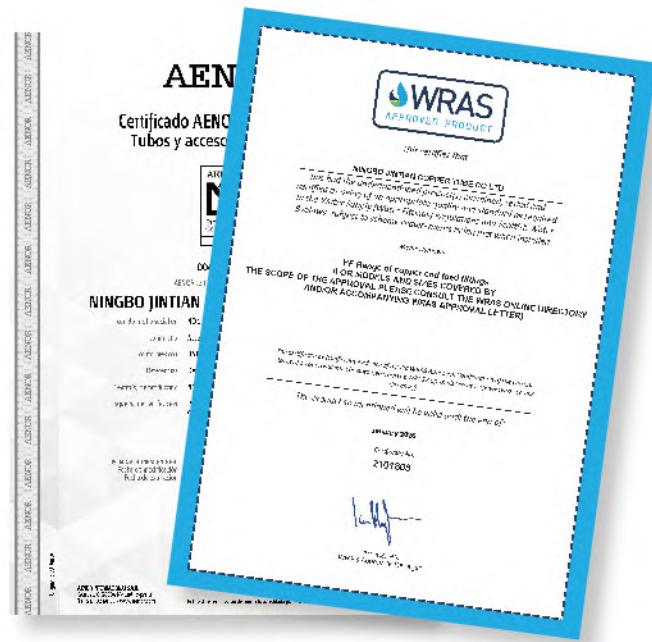
Code	Size
H133-1/2"PEX x 3/4"FTG	1/2" x 3/4"
H133-3/4"PEX x 3/4"FTG	3/4" x 3/4"
H133-1/2"PEX x 1/2"FTG	1/2" x 1/2"
H133-5/8"PEX x 3/4"FTG	5/8" x 3/4"
H133-3/4"PEX x 1"FTG	3/4" x 1"
H133-1"PEX x 1"FTG	1" x 1"

Brass Female Sweat Elbow 90° (Barb x female Sweat) Copper

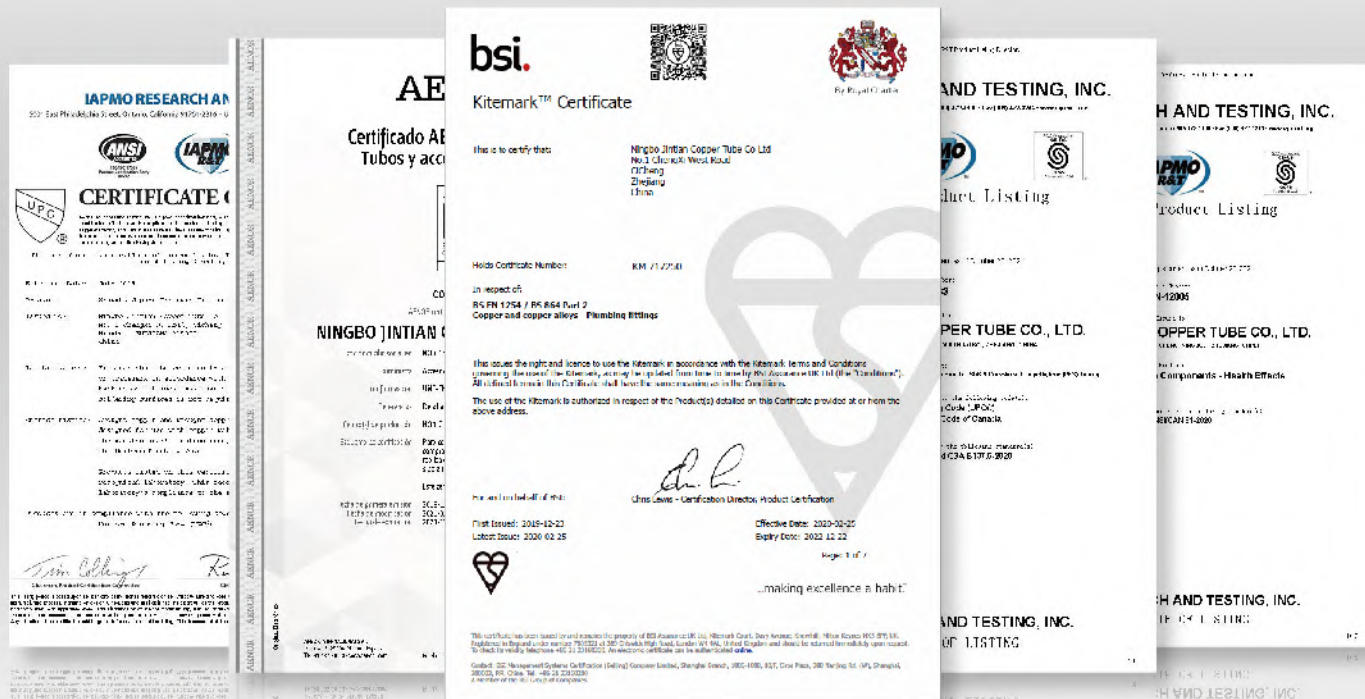
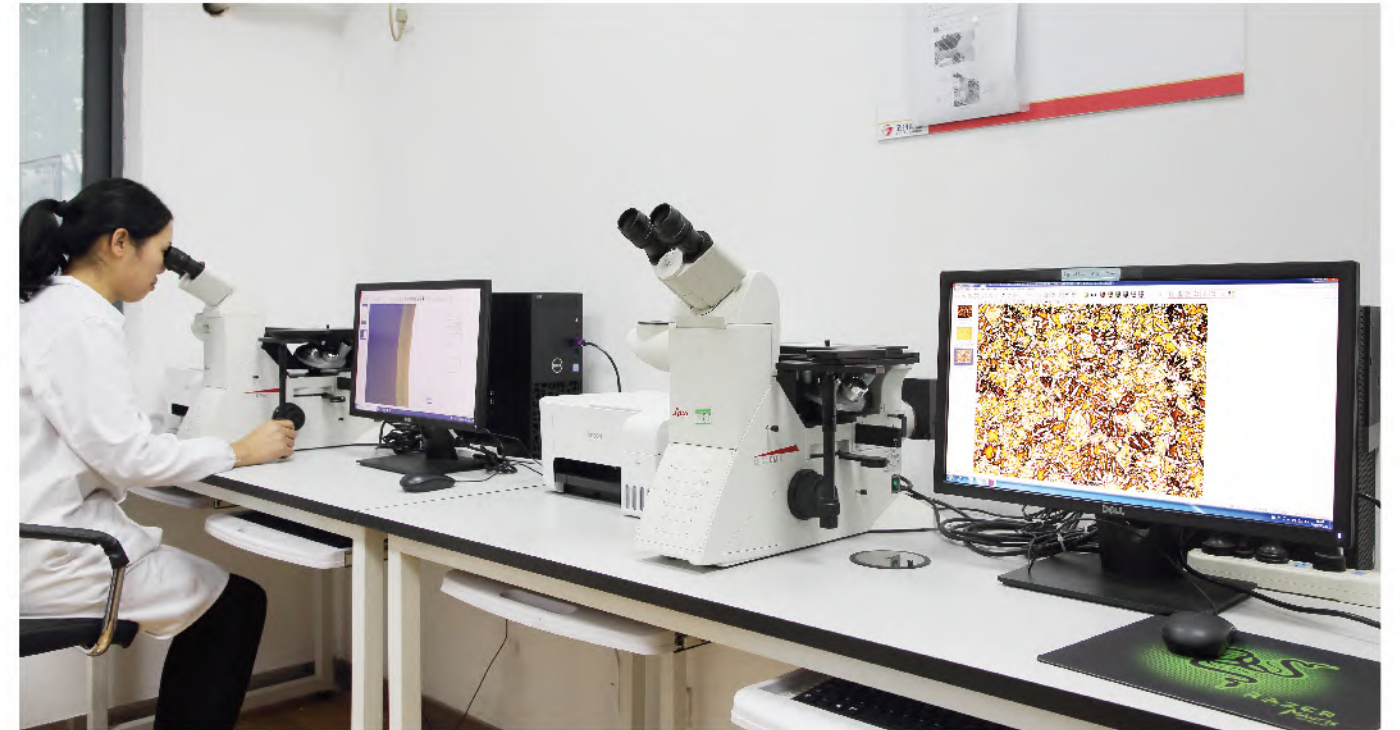


Code	Size
H137- 1/2"PEX x 3/4"C	1/2" x 3/4"
H137-3/4"PEX x 3/4"C	3/4" x 3/4"
H137-1/2"PEX x 1/2"C	1/2" x 1/2"
H137-5/8"PEX x 3/4"C	5/8" x 3/4"
H137-3/4"PEX x 1"C	3/4" x 1"
H137-1"PEX x 1"C	1" x 1"

CERTIFICATE



Lab



PACKING



Fold The Carton



Load The Product



Sealed Carton

NOTES
